



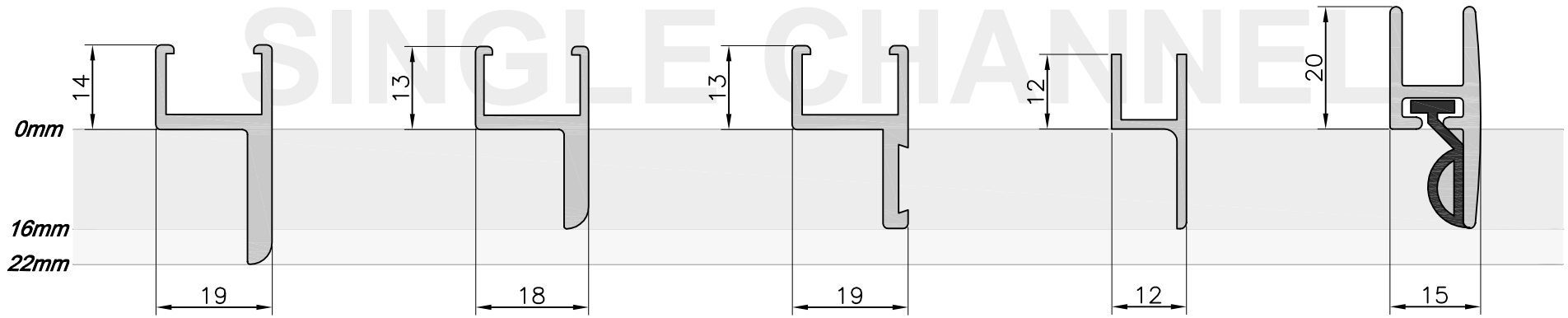
22mm flange.

16mm flange.

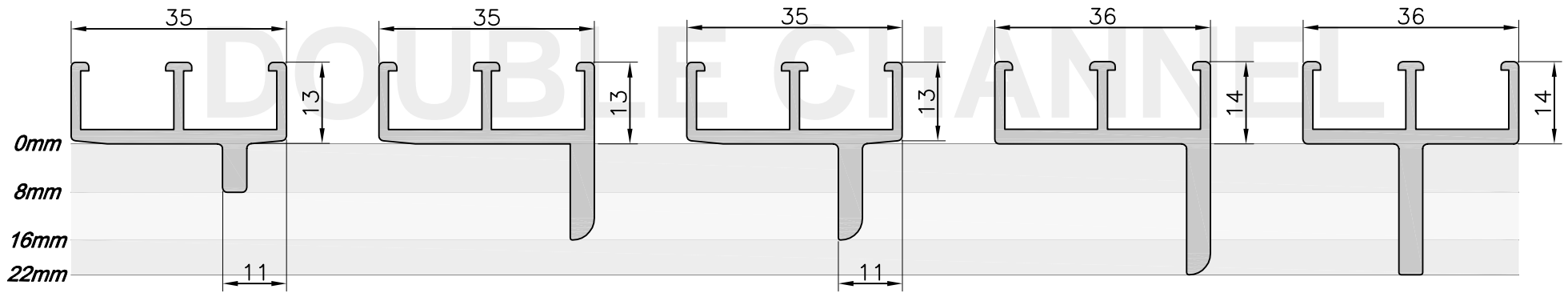
16mm hidden-fixing flange.

Duncan Lightweight. Mitred corners only.

New Narrow Flange. Shown with optional rubber seal.



SINGLE CHANNEL



DOUBLE CHANNEL

8mm flange for Claytonrite rubber.

16mm flush flange.

16mm offset flange.

22mm flush flange.

22mm center flange.

ALL SIZES FOR INDICATION ONLY.

|                             |               |      |                                |
|-----------------------------|---------------|------|--------------------------------|
| Kellett Engineering Co Ltd  |               |      |                                |
| DRAWN                       | Paul Hardwick | DATE | 15/12/2008                     |
| DESCRIPTION                 |               |      |                                |
| Standard KLT Frame Sections |               |      |                                |
| FIRST ANGLE                 | SHEET         | REV  | TOLERANCE +0-2                 |
|                             | 1 of 1        | 1    | IF IN DOUBT ASK - NOT TO SCALE |